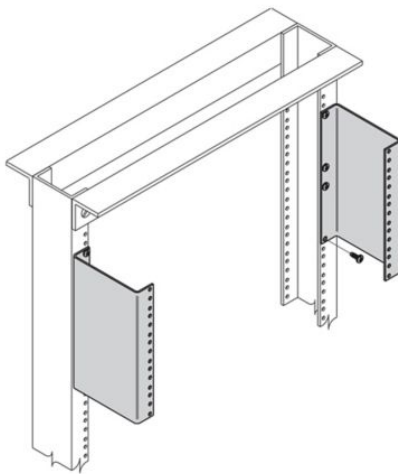


Eaton SB58503YZ

Catalog Number: SB58503YZ

Eaton B-Line series open frame racks, 11 Gauge steel, Spaces: 3,
Screws: 6, Yellow zinc, Network equipment rack standoff bracket



General specifications

Product Name	Catalog Number
Eaton B-Line series open frame racks	SB58503YZ
UPC	Product Length/Depth
799038343639	5 in
Product Height	Product Width
5.19 in	0.13 in
Product Weight	Certifications
2.4 lb	Not Applicable

Product specifications

Model

Network equipment rack standoff bracket

Material

Steel

Finish

Yellow zinc chromate

Resources

Brochures

[RCM and RCM+ brochure](#)

Specifications and datasheets

[Eaton Specification Sheet - SB58503YZ](#)



Eaton Corporation plc
Eaton House
30 Pembroke Road
Dublin 4, Ireland
Eaton.com
© 2023 Eaton. All Rights Reserved.

Eaton is a registered trademark.

All other trademarks are property of their respective owners.



[Eaton.com/socialmedia](https://www.eaton.com/socialmedia)